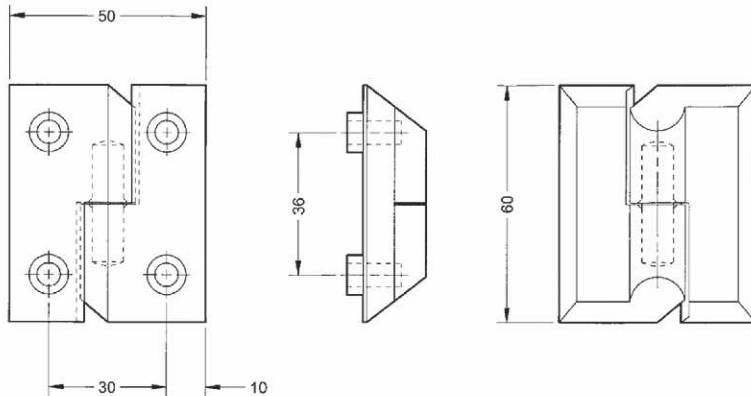


Lift Off Hinges UM 1000 Series

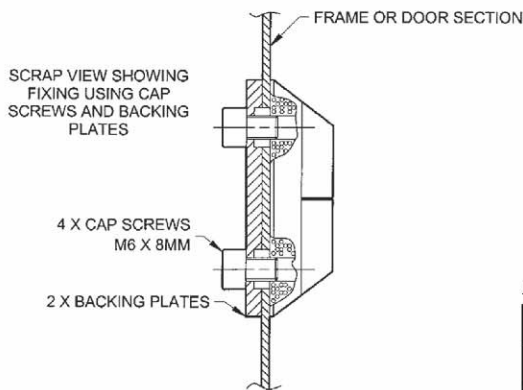


FEATURES

- * Cast stainless steel 316
- * Through panel bosses
- * Stainless steel backing plate fits inside enclosure for added security
- * Repeated abuse testing has shown very high resistance to attempts to force hinge removal and total destruction of doors is necessary to remove hinges

SUPPLY FEATURES

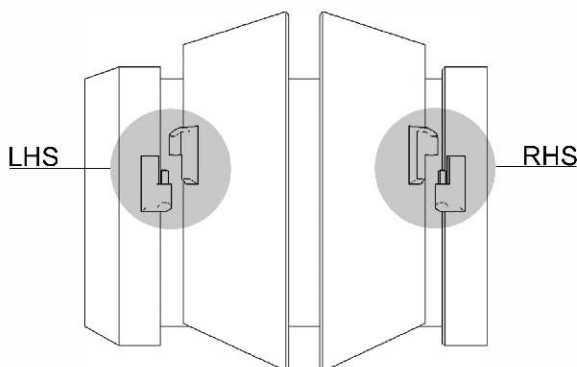
- * Each hinge kit includes 1 x hinge and pin, 2 x backing plates and 4 x patched socket cap screws



Alternative Insert / Key Configurations

Part Number	Description
UM1000/LHS	Lift off hinge kit, left hand side
UM1000/RHS	Lift off hinge kit, right hand side

HANDING EXPLANATION



Please contact Sales Office for:
HINGES, LATCHES & STAYS
available in stainless or non-stainless

