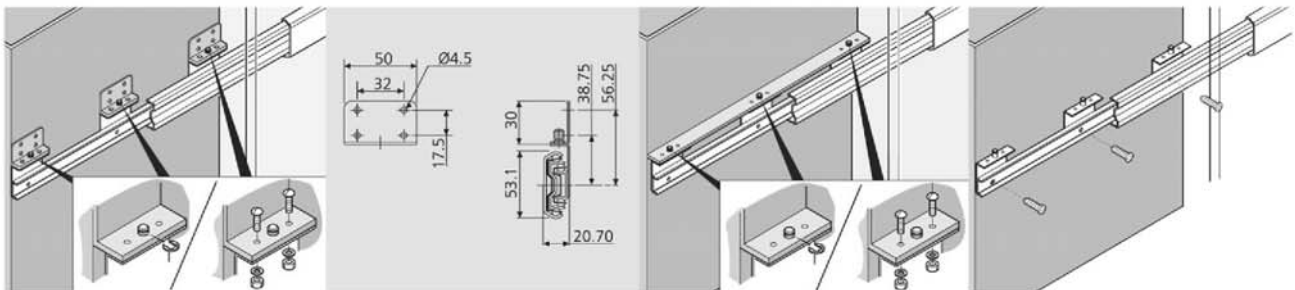
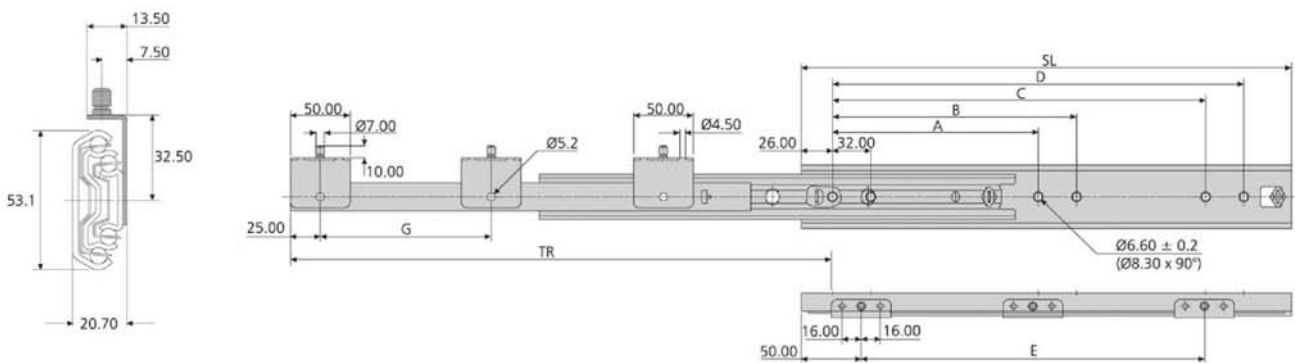


- High grade stainless steel
- Load rating up to 120kg
- 100%+ extension
- 20.7mm slide thickness
- Ideal for environments where mild steel might be subject to corrosion
- Hold-in
- Includes easy mount brackets with locator pins



Stainless steel

80,000



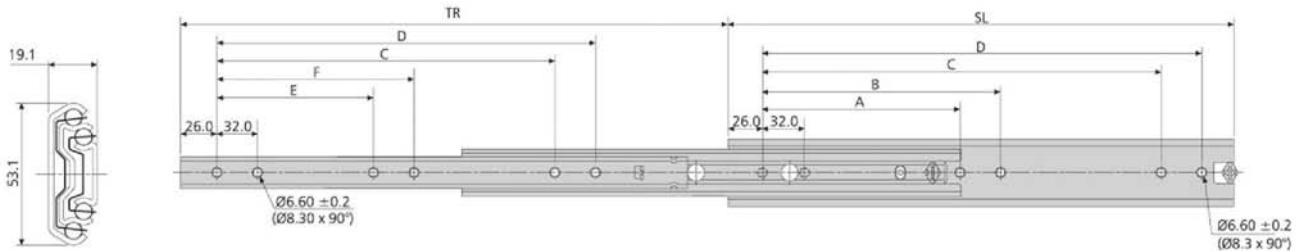
DS5322	mm								kg	
	SL	TR	A	B	C	D	E	G	W	L
DS5322-0030-2	300	342	-	-	192	224	177	-	1.90	80
DS5322-0035-2	350	392	-	-	256	288	227	-	2.15	90
DS5322-0040-2	400	442	160	192	288	320	277	-	2.40	100
DS5322-0045-2	450	492	192	224	352	384	327	-	2.66	110
DS5322-0050-2	500	542	192	224	384	416	377	-	2.98	120
DS5322-0055-2	550	592	224	256	448	480	427	-	3.28	110
DS5322-0060-2	600	642	256	288	480	512	477	238.5	3.58	100
DS5322-0070-2	700	742	320	352	608	640	577	288.5	4.20	70
DS5322-0080-2	790	822	352	384	672	704	677	338.5	4.80	50

**Notes:**

- Fixing recommendation: M5 countersunk/  
6mm countersunk Euro screw

Telescopic Slides 57

- High grade stainless steel
- Load rating up to 180kg
- 100%+ extension
- 19.1mm slide thickness
- Ideal for environments where mild steel might be subject to corrosion
- Hold-in



DS5321	mm								kg	
	SL	TR	A	B	C	D	E	F	W	L
DS5321-0030	300	323.5	-	-	192	224	-	-	1.70	140
DS5321-0035	350	373.5	-	-	224	256	-	-	1.96	150
DS5321-0040	400	423.5	160	192	288	320	128	160	2.24	160
DS5321-0045	450	473.5	160	192	320	352	128	160	2.56	170
DS5321-0050	500	523.5	192	224	384	416	160	192	2.84	180
DS5321-0055	550	573.5	192	224	416	448	160	192	3.13	170
DS5321-0060	600	623.5	256	288	480	512	192	256	3.43	160
DS5321-0070	700	723.5	288	320	576	608	256	288	4.03	130
DS5321-0080	790	803.5	352	384	672	704	320	352	4.55	100

**Notes:**

- Fixing recommendation: M5 countersunk/  
6mm countersunk Euro screw