

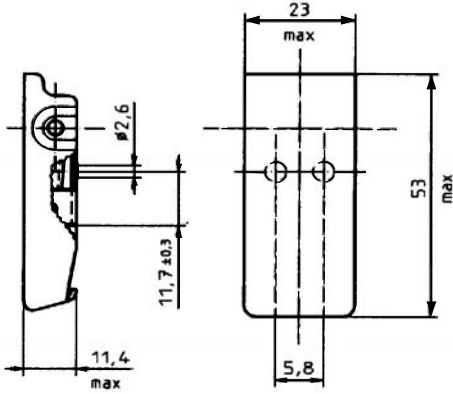


V96L Series Low Profile (1000N)


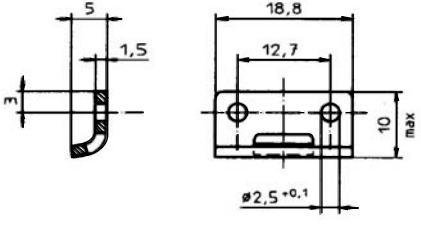
 ALCOA FASTENING SYSTEMS



Max. tensile strength 1000 N
Handle conceals all interior parts and strike
Self-compensating spring elements in handle
Low profile

Product	Dimensions	Material / Finish	Part No.
		Steel / zinc-plated, clear chromate	V96L01-1-1AO
		Steel / chrome-plated Interior parts: Steel / zinc-plated, clear chromate	V96L01-1-1AG

Strike

Product	Dimensions	Material / Finish	Part No.
		Steel / zinc-plated, clear chromate	V96H01-1-1AO

Preferred sizes in bold type; other lengths upon request

T: + 44 (0)1803 868677 • F: + 44 (0)1803 868678

E: sales@specialty-fasteners.co.uk

W: www.specialty-fasteners.co.uk

**SPECIALTY
FASTENERS &
COMPONENTS LTD** 

