
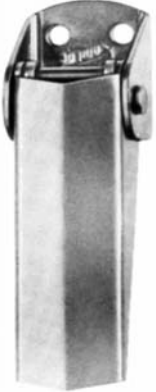
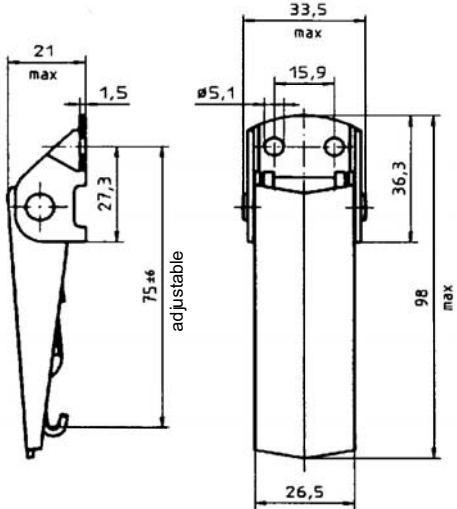
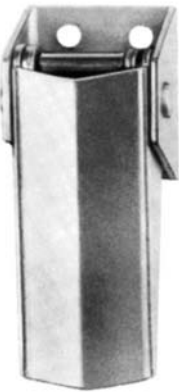
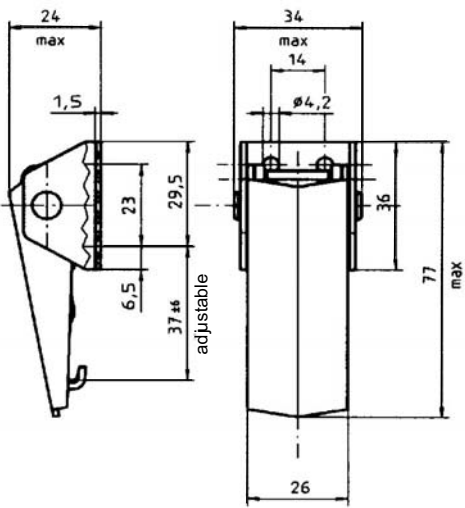


V917L Series Heavy Duty (3600 N)

 ALCOA FASTENING SYSTEMS



Max. tensile strength 3600 N
Adjustable drawhook
Available with secondary lock ans hasp

Product	Dimensions	Material / Finish	Part No.
Open base 		Steel / zinc-plated, clear chromate ¹⁾ Stainless steel / passivated ²⁾	V917L01-1-1AG V917L01-1-1BP
High Base 		Steel / zinc-plated clear chromate ¹⁾	V17L12-1-1AA

¹⁾ Max. tensile strength 3200 N with V917L11-1-*AG strike
2200 N with V951L50-*AG strike

²⁾ Max. tensile strength 2300 N with V917L11-1-1BP strike
3600 N with V951L50-*BP strike

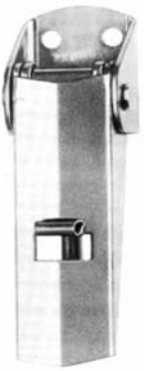
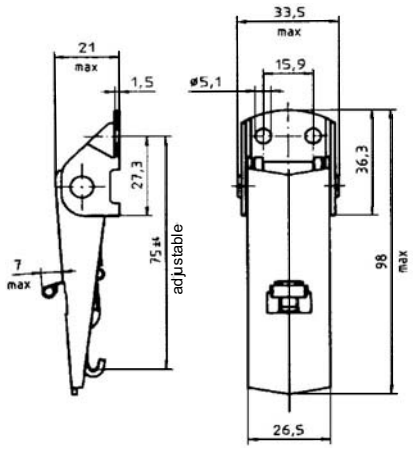

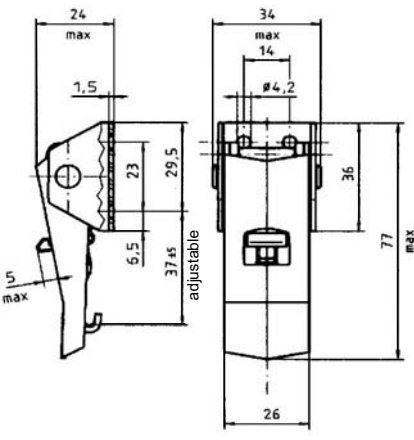

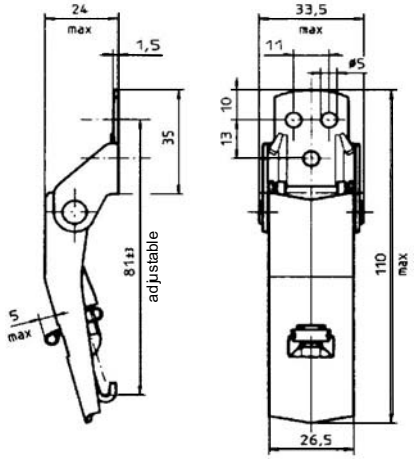
Preferred sizes in bold type; other lengths upon request

T: + 44 (0)1803 868677 • F: + 44 (0)1803 868678

E: sales@specialty-fasteners.co.uk

W: www.specialty-fasteners.co.uk

**SPECIALTY
FASTENERS &
COMPONENTS LTD** 

Product	Dimensions	Material / Finish	Mounting Type ¹⁾	Part No.
With secondary lock, open base 		Steel / zinc-plated, clear chromate ²⁾	N	V917L01-1X1AG
		Stainless steel / passivated ³⁾	N	V917L01-1X1BP
		Stainless steel / passivated ³⁾	S	V917L01-1X2BP
		Stainless steel V4A / passivated ³⁾	N	V917L01-1X2CP
With secondary lock, high base 		Steel / zinc-plated, clear chromate ²⁾	N	V17L12-2X1AA
With secondary lock for curved surfaces (R min = 125 mm) 		Steel / zinc-plated, clear chromate ²⁾	N	1449L02-1X1AG
		Stainless steel / passivated ³⁾	N	1449L02-1X1BP

Preferred sizes in bold type; other lengths upon request

Dimensions	
<p>Open-base tension latch / short-type strike</p>	<p>V917L01- V917L11-</p>
<p>Select diameter D in accordance with the strike style</p>	
<p>Open-base tension latch / strike with guidance</p>	<p>V917L01- V917L50-</p>
<p>Select diameter D in accordance with the strike style</p>	
<p>Tension latch for curved surfaces</p>	<p>1449L02- V917L50-</p>
<p>Select diameter D in accordance with the strike style</p>	

V917L Series Installation Instructions

ALCOA ALCOAFASTENING SYSTEMS

