


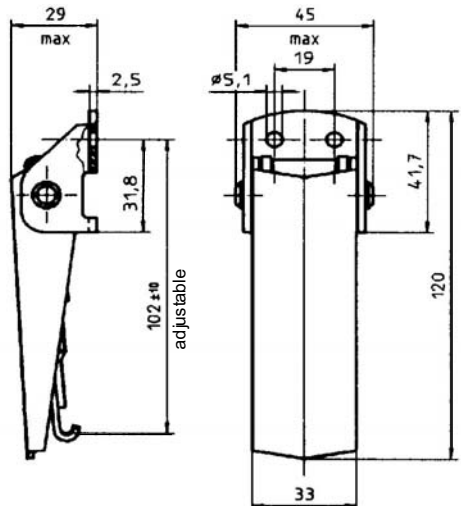

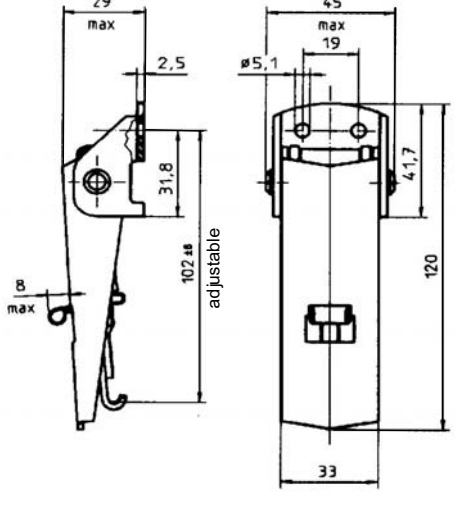
# V18L Series Heavy Duty (6000 N)

ALCOA FASTENING SYSTEMS



Max. tensile strength 6000 N  
Adjustable drawhook  
Available with secondary lock, hasp and lift spring

Tension Latches 1

Product	Dimensions	Material / Finish	Mounting Type <sup>1)</sup>	Part No.
		Steel / zinc-plated, clear chromate <sup>2)</sup>	N	<b>V18L01-1-1AA</b>
		Stainless steel / passivated <sup>3)</sup>	N	<b>V18L01-1-1BF</b>
		Stainless steel / passivated <sup>3)</sup>	S	<b>V18L01-1-2BF</b>
<b>With secondary lock</b> 		Steel / zinc-plated, clear chromate <sup>2)</sup>	N	<b>V18L01-1-X1AA</b>
		Stainless steel / passivated <sup>3)</sup>	N	<b>V18L01-1-X1BF</b>
		Stainless steel / passivated <sup>3)</sup>	S	<b>V18L01-1-X2BF</b>

<sup>1)</sup> Mounting Type: N = With holes for riveting or screwing

S = Without holes for welding

<sup>2)</sup> Max. tensile strength 6000 N with V18L13-1-AA strike  
2300 N with ECL642.00.04/5 strike

<sup>3)</sup> Max. tensile strength 4600 N with V18L13-1-\*BF and 1449L07-1BP strike  
2300 N with ECL642.00.30/5


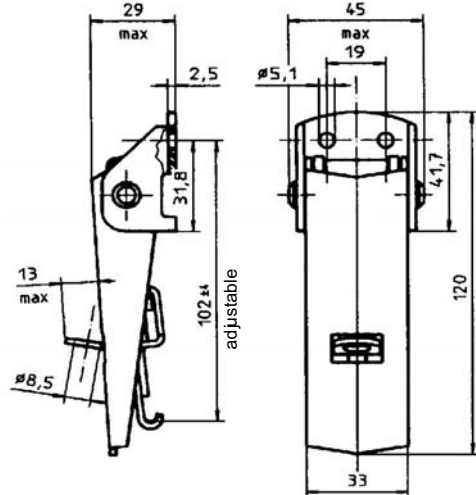
Preferred sizes in bold type; other lengths upon request

T: + 44 (0)1803 868677 • F: + 44 (0)1803 868678

E: sales@specialty-fasteners.co.uk

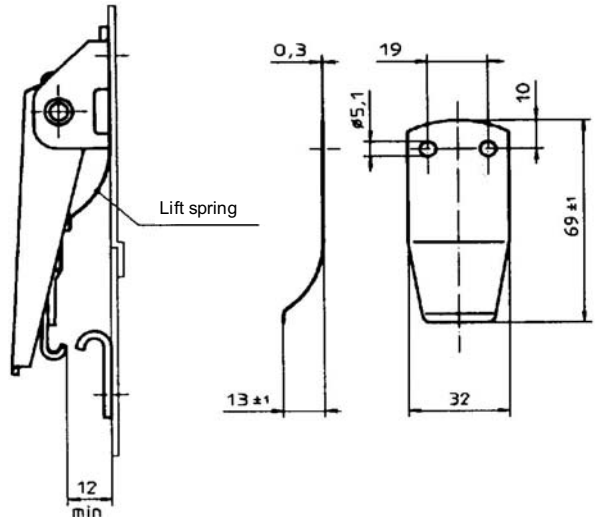
W: www.specialty-fasteners.co.uk

**SPECIALTY FASTENERS & COMPONENTS LTD** 

Product	Dimensions	Material / Finish	Part No.
<b>With hasp</b> 		Steel / zinc-plated clear chromate <sup>1)</sup>	<b>V18L01-1Y1AA</b>

<sup>1)</sup>Max. tensile strength 6000 N with V18L13-1-1 AA strike  
2300 N with ECL642.00.04/5 strike

## Accessories

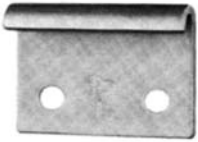
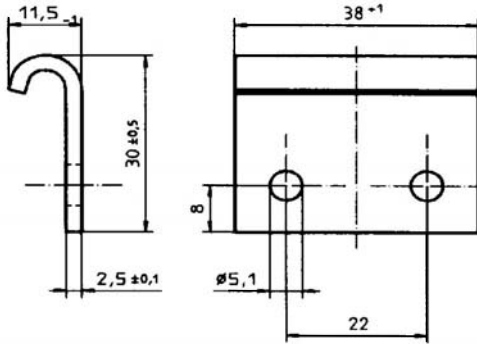
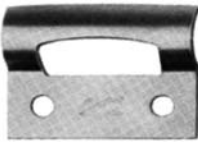
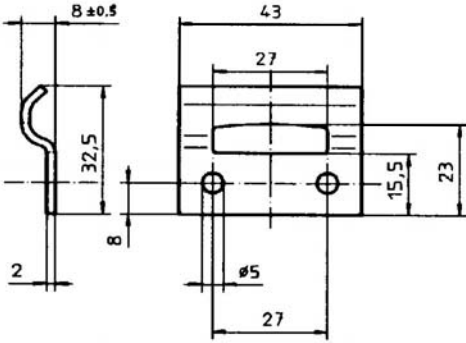
Dimensions	Material / Finish	Part No.
<b>Lift spring</b> 	Stainless steel / passivated	<b>V18L45-1BP</b>

Preferred sizes in bold type; other lengths upon request

# V18L Series Strikes

ALCOA ALCOAFASTENING SYSTEMS



Product	Dimensions	Material / Finish	Mounting Type <sup>1)</sup>	Part No.
<b>Short type</b>  		Steel / zinc-plated, clear chromate	N	<b>V18L13-1-1AA</b>
		Stainless steel / passivated	N	<b>V18L13-1-1BF</b>
		Stainless steel / passivated	S	<b>V18L13-1-2BF</b>
<b>With guidance</b>  		Stainless steel / passivated	N	<b>1449L07-1BP</b>

<sup>1)</sup> Mounting Type: N = With holes for riveting or screwing  
S = Without holes for welding

Preferred sizes in bold type; other lengths upon request

Dimensions	
<p><b>Tension latch / short-type strike</b></p>	<p>V18L01- V18L13-</p>
<p><b>Tension latch / strike with guidance</b></p>	<p>V18L01- 1449L07-</p>
<p><b>Tension latch / corner-mounting strike</b></p>	<p>V18L01-</p>

Preferred sizes in bold type; other lengths upon request