
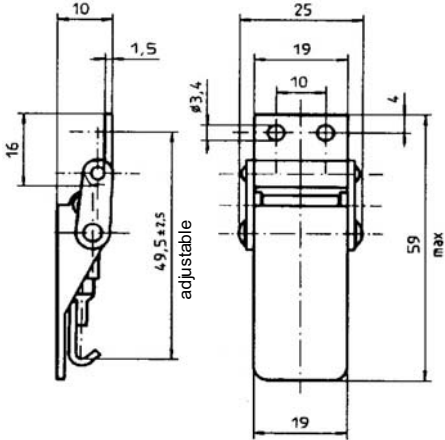




# E2.46.00 Series Low Profile (1300N)


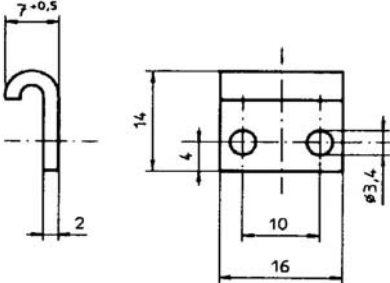
ALCOA ALCOA FASTENING SYSTEMS

Max. tensile strength 1300 N  
Adjustable drawhook

Product	Dimensions	Material / Finish	Part No.
		Steel / zinc-plated, yellow chromate	<b>E2.46.00.08/6</b>

Minimum order quantity 10.000 pcs

## Strike

Product	Dimensions	Material / Finish	Part No.
		Steel / zinc-plated, yellow chromate	<b>E2.46.00.08/5</b>

Preferred sizes in bold type; other lengths upon request




**SPECIALTY  
FASTENERS &  
COMPONENTS LTD**

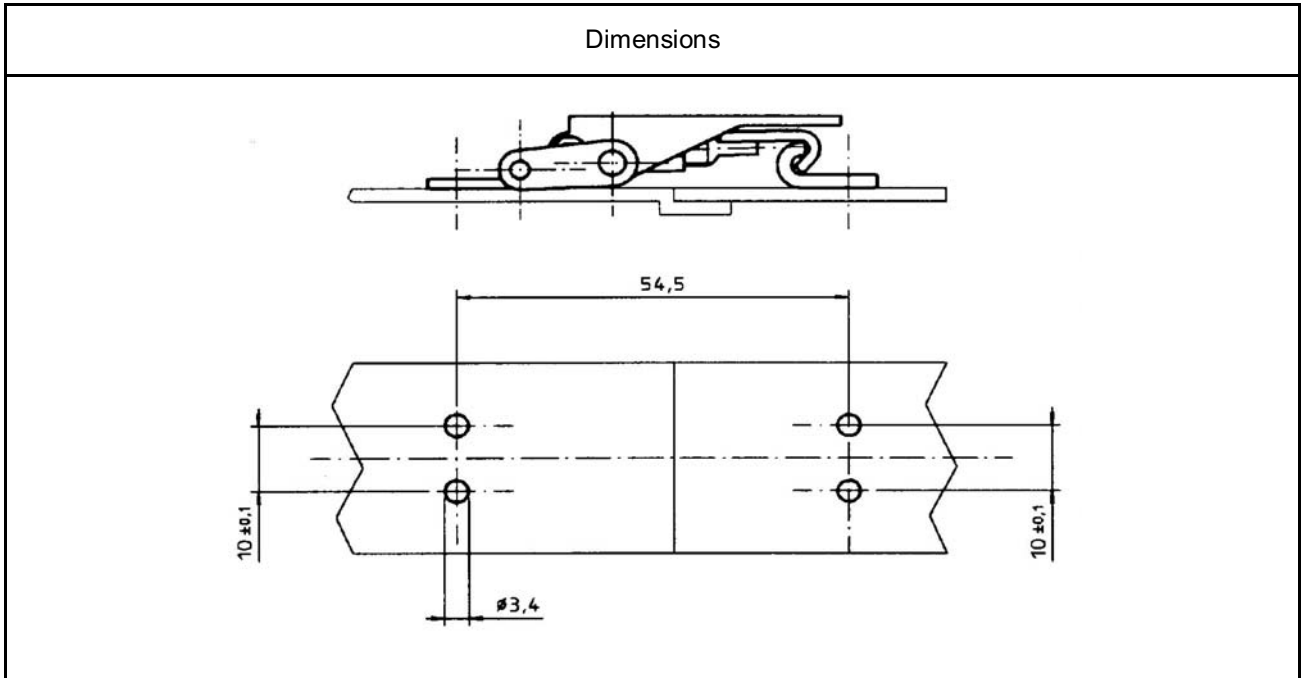
T: + 44 (0)1803 868677 • F: + 44 (0)1803 868678

E: sales@specialty-fasteners.co.uk

W: www.specialty-fasteners.co.uk

# E 2.46.00 Series Installation Instructions

 ALCOA FASTENING SYSTEMS



T: + 44 (0)1803 868677 • F: + 44 (0)1803 868678

E: [sales@specialty-fasteners.co.uk](mailto:sales@specialty-fasteners.co.uk)

W: [www.specialty-fasteners.co.uk](http://www.specialty-fasteners.co.uk)

**SPECIALTY  
FASTENERS &  
COMPONENTS LTD** 