



E 2.08.00 Series Medium Duty (1300 N)

ALCOA FASTENING SYSTEMS

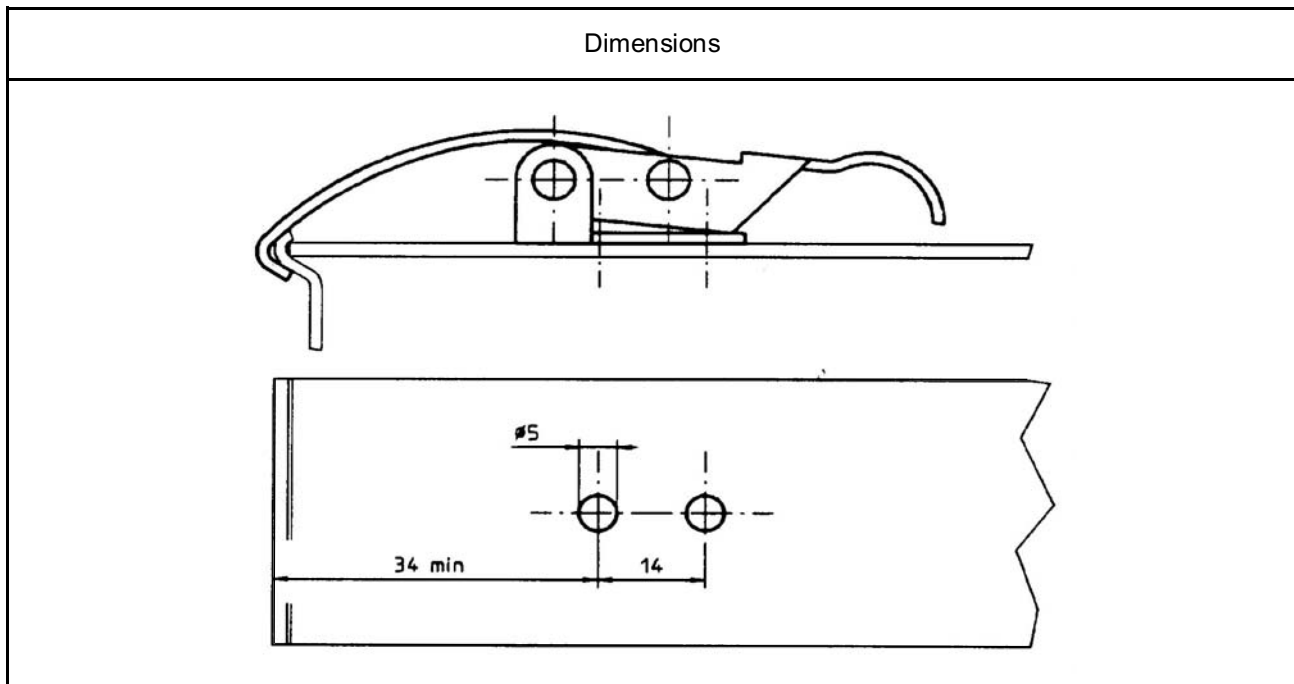
Tension Latches

Max. tensile strength 1300 N
Tension latch for direct grip into component contour

Product	Dimensions	Material / Finish	Part No.
		Steel / zinc-plated, clear chromate	E2.08.00.04
		Stainless steel	E2.08.00.30

Minimum order quantity 10.000 pcs

Installation instructions



Preferred sizes in bold type; other lengths upon request