


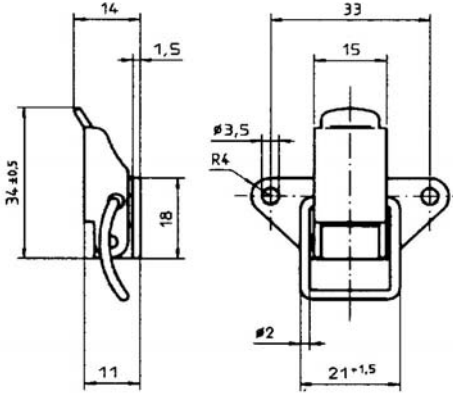
E2.04.00 Series Light Duty (1300 N)

ALCOA ALCOA FASTENING SYSTEMS




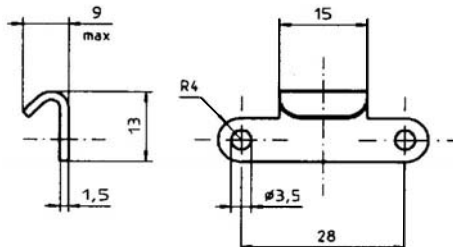
Tension Latches 1

Max. tensile strength 1300 N

Product	Dimensions	Material / Finish	Part No.
		Steel / zinc-plated, clear chromate	E2.04.00.04/6
		Stainless steel / passivated	E2.04.00.30/6

Minimum order quantity 10.000 pcs

Strike

Product	Dimensions	Material / Finish	Part No.
		Steel / zinc-plated, clear chromate	E2.04.00.04/5
		Stainless steel / passivated	E2.04.00.30/5

Preferred sizes in bold type; other lengths upon request

T: + 44 (0)1803 868677 • F: + 44 (0)1803 868678

E: sales@specialty-fasteners.co.uk

W: www.specialty-fasteners.co.uk

**SPECIALTY
FASTENERS &
COMPONENTS LTD** 

