

Max. tensile strength 1200 N
Available with hasp

Product	Dimensions	Material / Finish	Part No.
		Steel / zinc-plated, clear chromate Stainless steel / passivated	E2.03.00.04/6 E2.03.00.30/6
With hasp 		Stainless steel / passivated	E2.03.01.30/6

Strike

Product	Dimensions	Material / Finish	Part No.
		Steel / zinc-plated, clear chromate Stainless steel / passivated	E2.03.00.04/5 E2.03.00.30/5

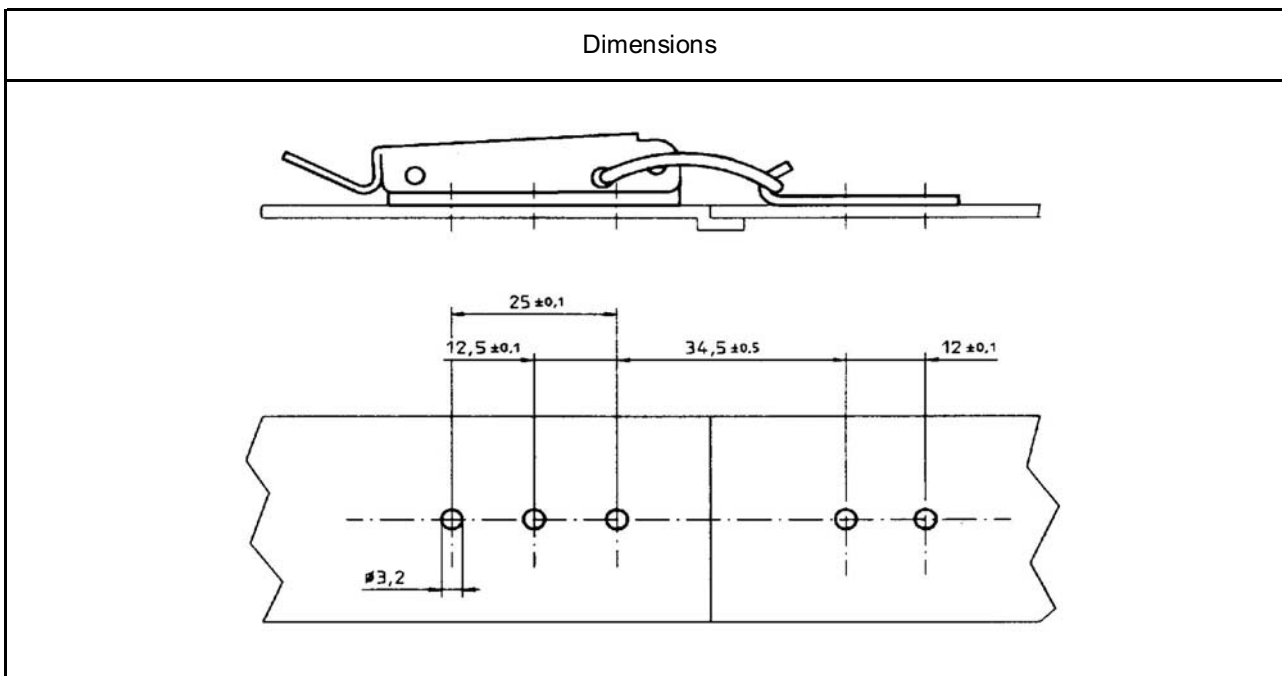
Preferred sizes in bold type; other lengths upon request

E 2.03.00 Series Installation Instructions



ALCOA ALCOFASTENING SYSTEMS

Tension Latches 1



T: + 44 (0)1803 868677 • F: + 44 (0)1803 868678

E: sales@specialty-fasteners.co.uk

W: www.specialty-fasteners.co.uk

**SPECIALTY
FASTENERS &
COMPONENTS LTD**



19 TL