

### Particular Features

Max. tensile strength 1400 N.  
 Easy and economic installation by snap-in spring clip and stud assembly.  
 Also suitable for automatic installation.  
 Opening by 1/4 turn - closing by a finger push.

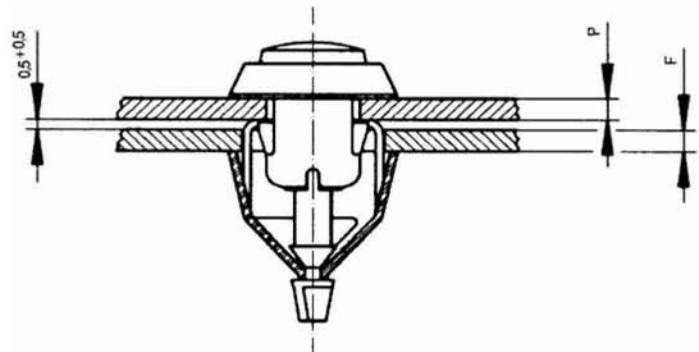
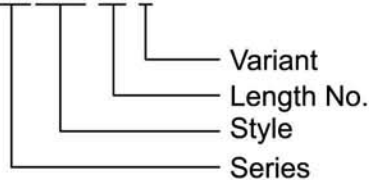
### Selection Instructions

1. Select stud assembly according to panel thickness P, page 62, and spring clip according to frame thickness F, page 63.
2. Select stud length number according to panel thickness P using table below.  
 Insert into stud part number \* for ordering.

### Part no. example

Stud, knurled knob head.

**716S12-03-2BP**



### Stud Length Table


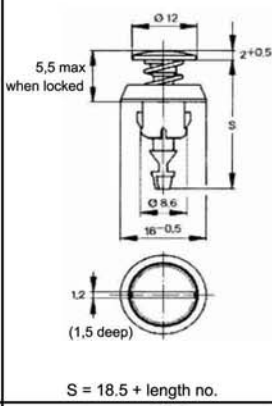

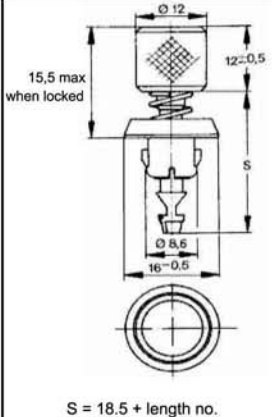
Panel Thickness P	Stud Length No.
<b>1.0 - 2.0</b>	<b>2</b>
<b>2.0 - 3.0</b>	<b>3</b>
<b>3.0 - 4.0</b>	<b>4</b>
<b>4.0 - 5.0</b>	<b>5</b>
<b>5.0 - 6.0</b>	<b>6</b>
6.0 - 7.0	7
7.0 - 8.0	8
8.0 - 9.0	9
9.0 - 10.0	10

Preferred sizes in bold type; other lengths upon request

# 716F Series Stud Assemblies

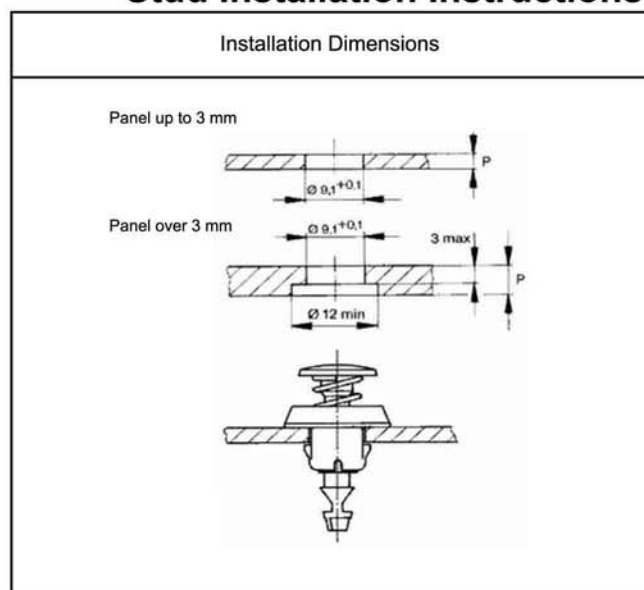


1  
Quarter Turn  
Fasteners

Style	Dimensions	Materials / Finish	Panel Thickness P	°C	Part No.
<b>Slotted Recess Head</b>  	 <p>S = 18.5 + length no.</p>	Stainless steel / passivated Spring cup: Plastic(POM)/ black	0.5 - 1.0 1.0 - 1.5 1.5 - 2.0 2.0 - 2.5 2.5 - 3.0	-40 to +100	716S12-* <b>-1BP</b> 716S12-* <b>-2BP</b> 716S12-* <b>-3BP</b> 716S12-* <b>-4BP</b> 716S12-* <b>-5BP</b>
<b>Knurled Knob Head</b>  	 <p>S = 18.5 + length no.</p>	Stainless steel / passivated Spring cup: Plastic(POM)/ black	0.5 - 1.0 1.0 - 1.5 1.5 - 2.0 2.0 - 2.5 2.5 - 3.0	-40 to +100	716S13-* <b>-1BP</b> 716S13-* <b>-2BP</b> 716S13-* <b>-3BP</b> 716S13-* <b>-4BP</b> 716S13-* <b>-5BP</b>

\* Length no. from Table, page 61

## Stud Installation Instructions



ISSUE 2 090809

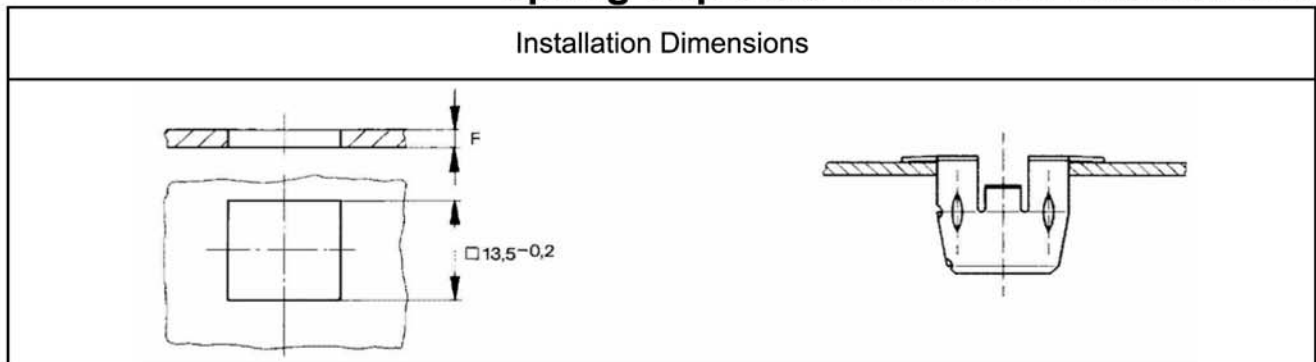
T: + 44 (0)1803 868677 • F: + 44 (0)1803 868678  
 E: sales@specialty-fasteners.co.uk  
 W: www.specialty-fasteners.co.uk

**SPECIALTY  
 FASTENERS &  
 COMPONENTS LTD**


62 QT

Style	Dimensions	Materials / Finish	Frame Thickness F	°C	Part No.
		Stainless steel / passivated	1.0 - 1.5 1.5 - 2.0 2.0 - 2.5 2.5 - 3.0	See stud assembly	<b>716R02-1BP</b> <b>716R02-2BP</b> <b>716R02-3BP</b> <b>716R02-4BP</b>

## Spring Clip Stud Installation Instructions



Preferred sizes in bold type; other lengths upon request

ISSUE 2 090609