

625 Imperial Series Single Action Pins

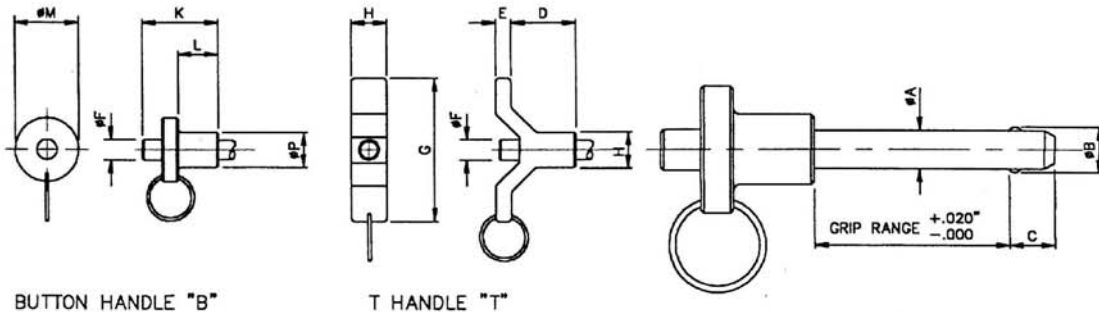


MADE TO
ORDER

Ball Lock Pins 625 Imperial Series

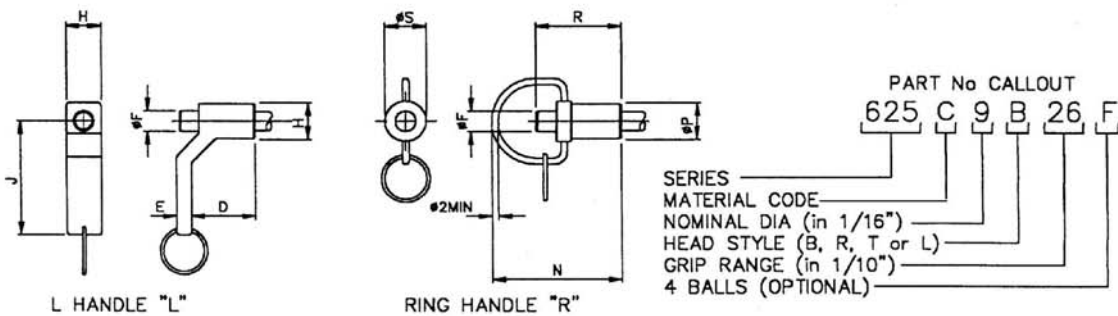
Stainless steel single-acting ball lock pin. Positive locking until released by a push button, which moves the centre spindle forward to allow the locking balls to retract.

QUICK RELEASE PIN MATERIAL CODES	
Material Code	°C
Pin Body	Stainless Steel AISI 431 heat treated to Rc.40
Actuating Rod	AISI 431
Spring	17-7PH
Handle	Aluminium Alloy



BUTTON HANDLE "B"

T HANDLE "T"



L HANDLE "L"

RING HANDLE "R"

625 Series (dimensions in inches)

Nom Dia.	ØA +0.00 -0.005	ØB ±0.05	C +0.00 -0.32	D Max	E Max	ØF ±0.10	G ±0.40	H Max	J ±0.40	K Min	L Min	ØM ±0.20	N Max	ØP ±0.10	R Max	ØS ±0.10	Double Shear* daN	Hole Dia	
																		Max	Min
3/16	0.189	0.220	0.260	0.790	0.190	0.250	1.77	0.435	1.420	0.935	0.500	0.787	1.575	0.433	1.040	0.500	2,291	0.194	0.190
1/4	0.249	0.289	0.290	0.790	0.190	0.250	1.77	0.435	1.420	0.935	0.500	0.787	1.575	0.433	1.040	0.500	4,092	0.254	0.250
5/16	0.311	0.375	0.330	0.790	0.190	0.250	1.77	0.435	1.420	0.935	0.500	0.787	1.575	0.433	1.040	0.500	6,405	0.317	0.313
3/8	0.374	0.440	0.365	0.870	0.190	0.312	2.05	0.550	1.575	1.000	0.610	1.000	1.850	0.551	1.090	0.625	9,163	0.379	0.375
7/16	0.436	0.509	0.380	0.870	0.190	0.312	2.05	0.550	1.575	1.000	0.610	1.000	1.850	0.551	1.090	0.625	12,455	0.443	0.438
1/2	0.499	0.594	0.460	1.060	0.260	0.437	2.28	0.710	1.770	1.070	0.730	1.340	2.245	0.709	1.400	0.750	16,369	0.505	0.500
9/16	0.561	0.666	0.510	1.060	0.260	0.437	2.28	0.710	1.770	1.070	0.905	1.340	2.245	0.709	1.400	0.750	20,462	0.568	0.563
5/8	0.624	0.750	0.580	1.180	0.335	0.450	2.60	0.950	1.970	1.250	0.945	1.575	2.245	0.866	1.475	0.810	25,580	0.630	0.625
3/4	0.749	0.887	0.670	1.180	0.335	0.590	2.60	0.950	1.970	1.250	1.120	1.810	2.245	0.945	1.475	1.225	36,698	0.757	0.750
7/8	0.874	1.046	0.760	1.460	0.335	0.700	3.07	1.220	2.165	1.500	1.260	2.165	2.640	1.024	1.640	1.225	50,042	0.882	0.875
1	0.999	1.219	0.890	1.655	0.335	0.700	3.07	1.220	2.165	1.700	1.480	2.165	2.640	1.220	1.830	1.250	65,369	1.010	1.000

*Double shear values are given in daN as indication and should be confirmed by application trial.

T: + 44 (0)1803 868677 • F: + 44 (0)1803 868678

E: sales@specialty-fasteners.co.uk

W: www.specialty-fasteners.co.uk

**SPECIALTY
FASTENERS &
COMPONENTS LTD**