
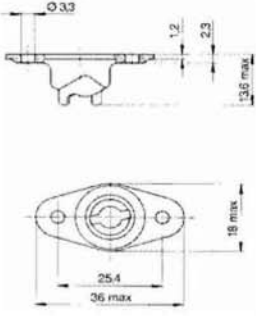

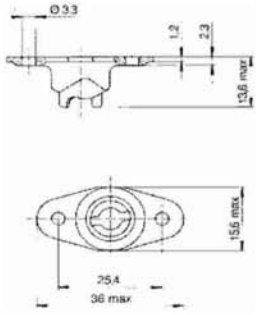

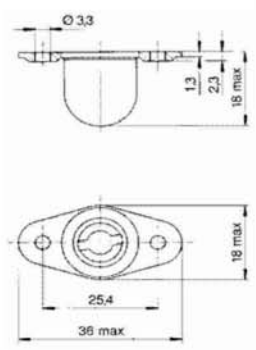

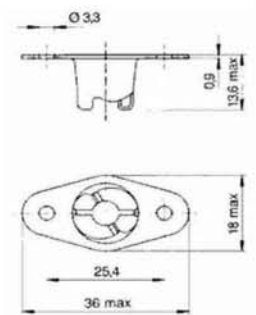


# 4002 Series Receptacles



Style	Dimensions	Materials / Finish	°C	Part No.
<b>Type 1 Cast</b>  		Hard bronze / zinc-plated, yellow chromate	230	<b>214-16G</b>
		Stainless steel	230	<b>214-16S</b>
<b>Type 1 Cast Flat-Sided</b>  		Hard bronze / zinc-plated, yellow chromate	230	<b>214-16GN</b>
<b>Type 1 Cast Encapsulated</b>  		Hard bronze / zinc-plated, yellow chromate Capsule: Brass / zinc-plated, yellow chromate	150	<b>40R12-1A</b>
<b>Type 1 Swaged</b>  		Stainless steel / passivated	230	<b>40R17-1</b>


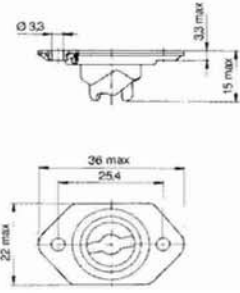

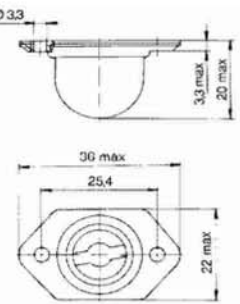

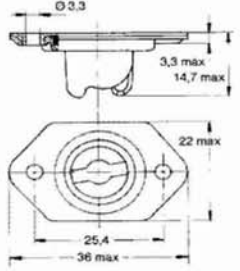

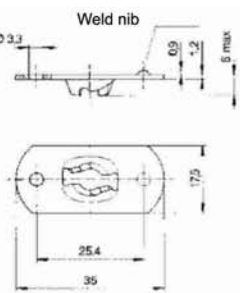
ISSUE 2 080609

T: + 44 (0)1803 868677 • F: + 44 (0)1803 868678

E: sales@specialty-fasteners.co.uk

W: www.specialty-fasteners.co.uk

**SPECIALTY  
FASTENERS &  
COMPONENTS LTD** 

Style	Dimensions	Materials / Finish	°C	Part No.
<b>Type 2</b> Up to 0.75 Float* (Cast Cam) 		Hard bronze / zinc-plated, yellow chromate Cage: Steel / zinc-plated, yellow chromate	230	<b>244-16G</b>
		Stainless steel / passivated	230	<b>244-16S</b>
<b>Type 2</b> Up to 0.75 Float* Encapsulated 		Hard bronze / zinc-plated, yellow chromate Capsule: Steel / zinc-plated, yellow chromate	230	<b>244-16GC</b>
<b>Type 2</b> Up to 0.75 Float* (Swaged Cam) 		Stainless steel / passivated	230	<b>40R18-1</b>
<b>Type 3</b> <b>Flat</b> Rivet / Screw or Weld Mounting 		<b>Rivet / Screw Mounting</b> hard bronze / zinc plated CrVI-free clear passivated Stainless steel / passivated	230	<b>V50R3-1-1AGV</b>
		Stainless steel / passivated	230	<b>V50R3-1-1BP</b>
		<b>Welding</b> Steel / zinc plated, CrVI-free	230	<b>V50R3-1-2AZ</b>

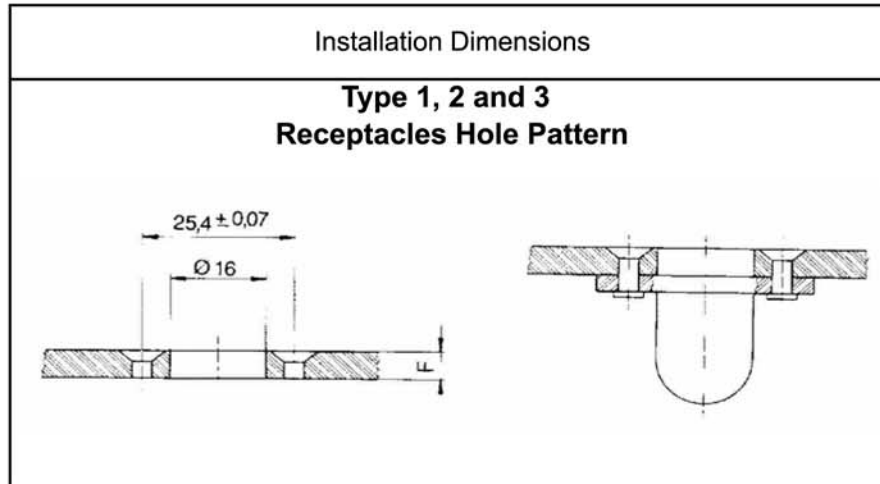
\*1.6 mm float upon request

ISSUE 2 080609

# 4002 Series Receptacles



## Receptacle Installation Instructions



ISSUE 2 080609

T: + 44 (0)1803 868677 • F: + 44 (0)1803 868678

E: [sales@specialty-fasteners.co.uk](mailto:sales@specialty-fasteners.co.uk)

W: [www.specialty-fasteners.co.uk](http://www.specialty-fasteners.co.uk)

**SPECIALTY  
FASTENERS &  
COMPONENTS LTD**

42 QT