

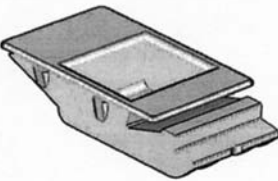
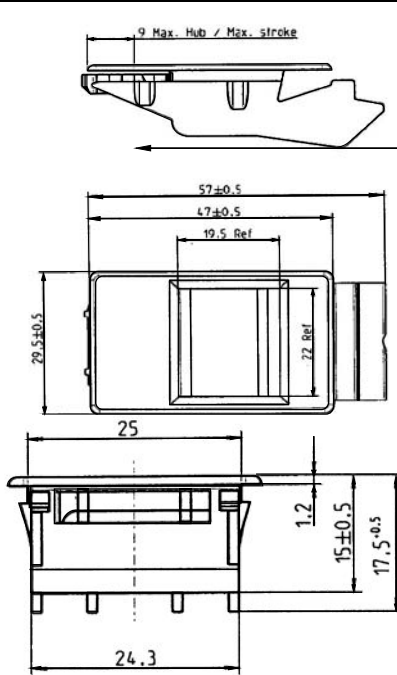
2939L Series Slide Latch (150N)

ALCOA ALCOA FASTENING SYSTEMS

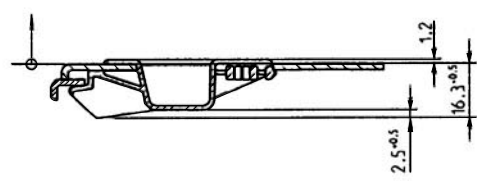
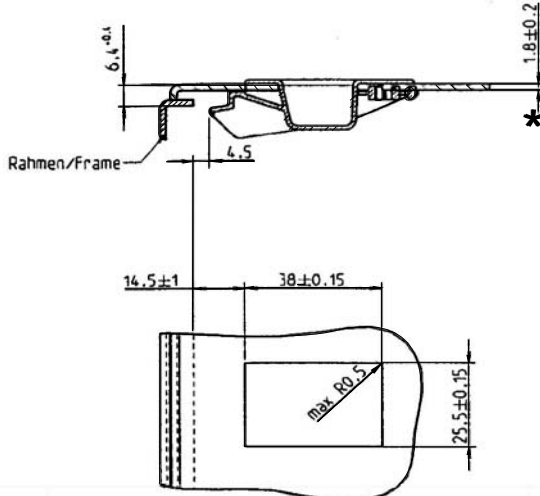
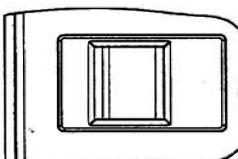
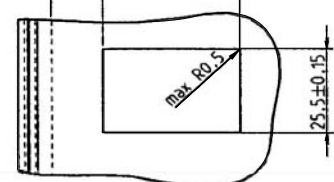


Max. tensile strength 150 N

Tension Latches 1

Product	Dimensions	Material / Finish	°C	Part No.
		Plastic (POM) Black	-10 to +60	2939L01-01-1K

Installation Instructions

Dimensions	
Open base	Concealed base
	
	

Preferred sizes in bold type; other lengths upon request

T: + 44 (0)1803 868677 • F: + 44 (0)1803 868678

E: sales@specialty-fasteners.co.uk

W: www.specialty-fasteners.co.uk

SPECIALTY
FASTENERS &
COMPONENTS LTD

