

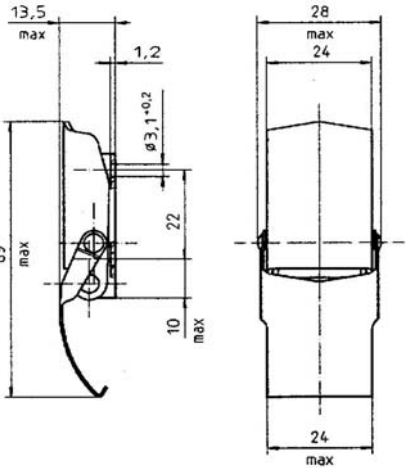

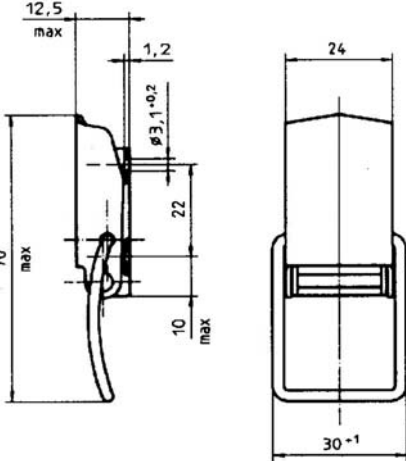


1429L Series Light Duty (1500 N)

 ALCOA FASTENING SYSTEMS



Max. tensile strength 1500 N
With self-compensating spring-steel drawhook or clip
With secondary lock
Three different drawhook types available

Product	Dimensions	Material / Finish	Part No.
With drawhook 		Steel / zinc-plated, clear chromate ¹⁾ Stainless steel, passivated ²⁾	1429L02-1-1AG 1429L02-1-1BP
With clip 		Stainless steel / passivated ³⁾	1429L02-2-1BP

¹⁾ Max. tensile strength 450 N with 1429L8-1AG strike

²⁾ Max. tensile strength 300 N with 1429L8-1BP strike

³⁾ Max. tensile strength 1500 N with 1429L9-1BP strike


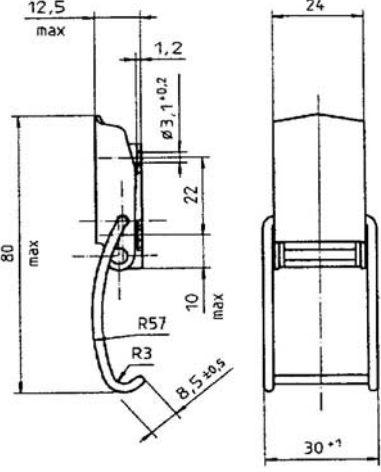

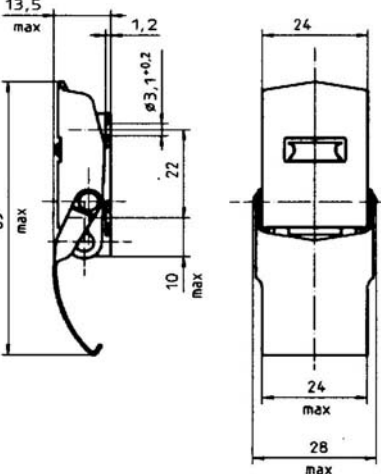
Preferred sizes in bold type; other lengths upon request

T: + 44 (0)1803 868677 • F: + 44 (0)1803 868678

E: sales@specialty-fasteners.co.uk

W: www.specialty-fasteners.co.uk

**SPECIALTY
FASTENERS &
COMPONENTS LTD** 

Product	Dimensions	Material / Finish	Part No.
With bent clip 		Stainless steel / passivated ¹⁾	1429L02-3-1BP
With drawhook and secondary lock 		Steel / zinc-plated, clear chromate ²⁾ Stainless steel / passivated ³⁾	1429L02-1X1AG 1429L02-1X1BP


¹⁾ Max. tensile strength 1100 N with 1429L9-1BP strike or in conjunction with adapted component contour

²⁾ Max. tensile strength 450 N with 1429L8-1AG strike


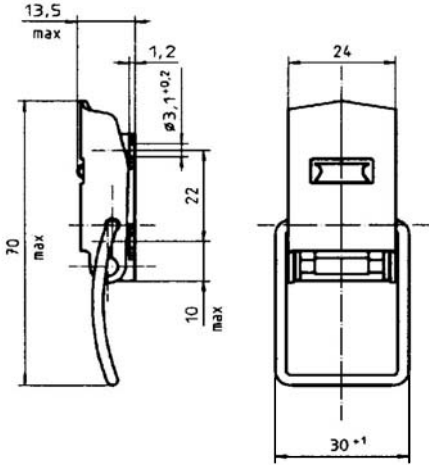

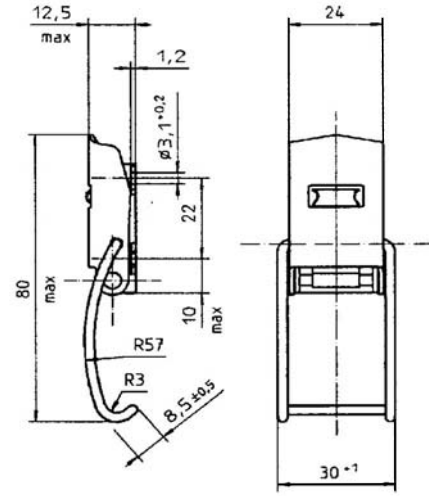
³⁾ Max. tensile strength 300 N with 1429L8-1BP strike

Preferred sizes in bold type; other lengths upon request

1429L Series Tension Latch

 ALCOA FASTENING SYSTEMS


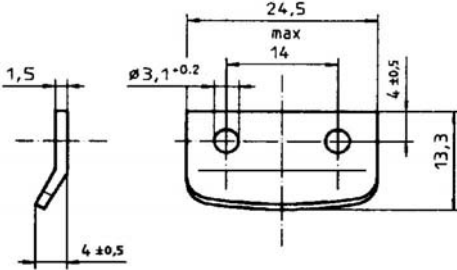

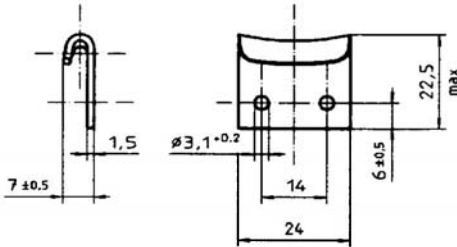


Product	Dimensions	Material / Finish	Part No.
<p>With clip and secondary lock</p> 		<p>Stainless steel / passivated ¹⁾</p>	<p>1429L02-2X1BP</p>
<p>With bent clip and secondary lock</p> 		<p>Steel / zinc-plated clear chromate ²⁾</p> <p>Stainless steel / passivated ²⁾</p>	<p>1429L02-3X1AG</p> <p>1429L02-3X1BP</p>

¹⁾ Max. tensile strength 1500 N with 1429L9-1BP strike

²⁾ Max. tensile strength 1100 N with 1429L9-1BP strike
or in conjunction with adapted component contour

Preferred sizes in bold type; other lengths upon request

Product	Dimensions	Material / Finish		Part No.
For drawhook 		Steel / zinc-plated, clear chromate	-	1429L8-1AG
		Stainless steel / passivated	-	1429L8-1BP
For clip 		Stainless steel / passivated	-	1429L9-1BP

1429L Series Installation Instructions



ALCOA ALCOFASTENING SYSTEMS

Dimensions	
<p>Drawhook tension latch / drawhook strike</p>	<p>1429L02-1- 1429L8-</p>
<p>Clip tension latch / clip strike</p>	<p>1429L02-2- 1429L9-</p>
<p>Bent clip tension latch</p>	<p>1429L02-3- (1429L9-)</p>